

# SERVICE MANUAL

---

RADIO RECEIVER

---

**aiwa**

S/M Code No. 09-025-455-5N1



## SPECIFICATIONS - 1/1

### <YZ MODEL>

**Frequency range:****AM STEP set to 9 kHz**

AM 531 – 1,602 kHz (9 kHz steps)  
FM 87.5 – 108 MHz (50 kHz steps)

**AM STEP set to 10 kHz**

AM 530 – 1,710 kHz (10 kHz steps)  
FM 87.5 – 108.1 MHz (200 kHz steps)

**Maximum output:** 4 mW + 4 mW (EIAJ 32 ohms)**Power sources:** DC 3 V using two R03 (size AAA) dry cell batteries**Maximum outside dimensions:**

58 (W) × 97.4 (H) × 19.4 (D) mm  
(excluding projecting parts and controls)

**Weight:** Approx. 70 g excluding batteries**Supplied headphones HP-M029**

Type: In-ear type

Impedance: 32 ohms

Sensitivity: 103 dB/mW

**Recommended commercially available headphones**

Type: In-ear type

Impedance: 32 ohms

Sensitivity: 102 dB/mW or less

The specifications and external appearance of this unit are subject to change without notice.

### <YL MODEL>

**Frequency range:****AM STEP set to 9 kHz**

AM 531 – 1,602 kHz (9 kHz steps)  
FM 87.5 – 108 MHz (50 kHz steps)

**AM STEP set to 10 kHz**

AM 530 – 1,710 kHz (10 kHz steps)  
FM 87.5 – 108.1 MHz (200 kHz steps)

**Maximum output:** 7 mW + 7 mW (EIAJ 32 ohms)**Power sources:** DC 3 V using two R03 (size AAA) dry cell batteries**Maximum outside dimensions:**

58 (W) × 97.4 (H) × 19.4 (D) mm  
(excluding projecting parts and controls)

**Weight:** Approx. 70 g excluding batteries

The specifications and external appearance of this unit are subject to change without notice.

# ACCESSORIES PARTS LIST -1/1

! = SAFETY PARTS

C = Components marked

All components used on this model at the production line are shown in this service manual.

However, please note that not all components will be available as spare parts for after-sales service.

Components marked S and O are designated as spare parts for service and will be stocked at the spare parts centers.

Components marked X and R are not designated as spare parts for after sales service, and will not be stocked at the spare parts centers.

UNIT-NAME	! C	REF-NO	PARTS-NO	PARTS-NAME	SUFFIX&MODEL
					CR-D550 YZ1SC
					CR-D550 YL1SC
	0	AS1001	8C-RC8-905-010	I/B (YZ,EGF) CRC8-91-02 (CR-D	a
	0	AS1001	8C-RC8-907-010	I/B (YZ,PHC) CRC8-91-04 (CR-D	a
	0	AS1001	8C-RC8-906-010	I/B (YZ,SID) CRC8-91-03 (CR-D	a
	0	AS1001	8C-RC8-904-010	I/B (550YL,ESP) CRC8-91-01 S:	.
	X	AS1002	87-B30-554-010	HEADPHONE SET #HP-M029 (STERE	a

# ELECTRICAL PARTS LIST - 1/4

! = SAFETY PARTS  
C = Components marked

All components used on this model at the production line are shown in this service manual.

However, please note that not all components will be available as spare parts for after-sales service.

Components marked S and O are designated as spare parts for service and will be stocked at the spare parts centers.

Components marked X and R are not designated as spare parts for after sales service, and will not be stocked at the spare parts centers.

UNIT-NAME	! C	REF-NO	PARTS-NO	PARTS-NAME	SUFFIX&MODEL	CR-D550	CR-D550
						YZ1SC	YL1SC
FRONT	0 C	0501	87-012-286-080	CHIP CAP 0.01 uF/25V +-10% (0	a		b
FRONT	0 C	0502	87-015-694-080	ELECT CAP 0.47 MFD/50V +-20% (	a		b
FRONT	0 C	0503	87-010-831-080	CHIP CAP 0.1 uF/16V +80-20% (	a		b
FRONT	0 C	0504	87-A10-216-080	ELECT CAP 47 MFD/25V +-20% (V	a		b
FRONT	0 C	0506	87-012-172-080	CHIP CAP 10 pF/50V +-5% NPO (	a		b
FRONT	0 C	0507	87-012-172-080	CHIP CAP 10 pF/50V +-5% NPO (	a		b
FRONT	0 C	0508	87-010-831-080	CHIP CAP 0.1 uF/16V +80-20% (	a		b
FRONT	0 C	0509	87-010-831-080	CHIP CAP 0.1 uF/16V +80-20% (	a		b
FRONT	0 C	0510	87-010-831-080	CHIP CAP 0.1 uF/16V +80-20% (	a		b
FRONT	0 C	0511	87-010-831-080	CHIP CAP 0.1 uF/16V +80-20% (	a		b
FRONT	0 C	0513	87-012-282-080	CHIP CAP 0.0047 uF/50V +-10%	a		b
FRONT	S D	0502	87-001-553-080	CHIP DIODE 1SS322 (TE85R) (TO	a		b
FRONT	S D	0503	87-001-553-080	CHIP DIODE 1SS322 (TE85R) (TO	a		b
FRONT	S D	0504	87-001-553-080	CHIP DIODE 1SS322 (TE85R) (TO	a		b
FRONT	S D	0505	87-001-553-080	CHIP DIODE 1SS322 (TE85R) (TO	a		b
FRONT	S D	0506	87-001-553-080	CHIP DIODE 1SS322 (TE85R) (TO	a		b
FRONT	S D	0507	87-001-553-080	CHIP DIODE 1SS322 (TE85R) (TO	a		b
FRONT	S D	0508	87-001-553-080	CHIP DIODE 1SS322 (TE85R) (TO	a		b
FRONT	S IC	0501	87-A21-605-010	ICMCU-&&K-LCD TC9318FA-056	a		b
FRONT	S IC	0502	87-A20-755-080	ICRAMF-&&X&&1K AK-93C45AF COM	a		b
FRONT	0 LCD	0501	8A-RC4-612-010	LCD-P-04D-3129SM019P BT-A303F	a		b
FRONT	0 LED	0501	87-A91-734-080	LED-Y-1x4&-N-&&&-SMD PY1113F	a		b
FRONT	S Q	0501	89-342-153-080	TR NPNGEN-RAD&SC-070 2SC42150	a		b
FRONT	S Q	0502	89-508-804-080	TR FETSST-RAD&SC-070 2SK880Y	a		b
FRONT	S Q	0503	89-341-165-080	TR NPNGEN-RAD&SC-070 2SC4116GR	a		b
FRONT	S Q	0504	89-115-884-080	TR PNPGEN-RAD&SC-072 2SA1588Y	a		b
FRONT	S Q	0505	89-341-165-080	TR NPNGEN-RAD&SC-070 2SC4116GR	a		b
FRONT	0 R	0501	88-108-153-080	CHIP RESISTOR 15 Kohm +-5% 1/	a		b
FRONT	0 R	0502	88-108-102-080	CHIP RESISTOR 1 Kohm +-5% 1/1	a		b
FRONT	0 R	0503	88-108-102-080	CHIP RESISTOR 1 Kohm +-5% 1/1	a		b
FRONT	X R	0504	88-108-154-080	CHIP RESISTOR 150 Kohm +-5% 1	a		b
FRONT	0 R	0505	88-108-153-080	CHIP RESISTOR 15 Kohm +-5% 1/	a		b
FRONT	X R	0506	88-108-104-080	CHIP RESISTOR 100 Kohm +-5% 1	a		b
FRONT	X R	0507	88-108-104-080	CHIP RESISTOR 100 Kohm +-5% 1	a		b
FRONT	0 R	0508	88-108-473-080	CHIP RESISTOR 47 Kohm +-5% 1/	a		b
FRONT	0 R	0509	88-108-103-080	CHIP RESISTOR 10 Kohm +-5% 1/	a		b
FRONT	X R	0510	88-108-390-080	CHIP RESISTOR 39 ohm +-5% 1/1	a		b
FRONT	0 R	0511	88-108-473-080	CHIP RESISTOR 47 Kohm +-5% 1/	a		b
FRONT	X R	0512	88-108-105-080	CHIP RESISTOR 1 Mohm +-5% 1/1	a		b
FRONT	0 R	0513	88-108-103-080	CHIP RESISTOR 10 Kohm +-5% 1/	a		b
FRONT	X R	0514	88-108-479-080	CHIP RESISTOR 4.7 ohm +-5% 1/	a		b
FRONT	0 S	0501	S2-210-211-000	SL SW.2P2T SS058-PT022BA-PA2	a		b
FRONT	0 S	0502	87-036-304-080	CHIP SL SW 1P2T SS-350-B12W-C	a		b
FRONT	0 S	0516	87-036-304-080	CHIP SL SW 1P2T SS-350-B12W-C	a		b
FRONT	0 X	0501	87-A70-187-010	CRYSTAL CFV-206 2x6mm 75.0 KH	a		b
MAIN	0 BPF	0101	87-A91-680-010	BANDPASS FILTER GFMB5-C3	a		b
MAIN	0 C	0101	87-012-156-080	CHIP CAP 220 pF/50V +-5% NPO	a		b
MAIN	0 C	0102	87-012-286-080	CHIP CAP 0.01 uF/25V +-10% (0	a		b
MAIN	0 C	0103	87-010-759-080	CHIP CAP 0.1 uF/25V +80-20% (	a		b
MAIN	0 C	0104	87-010-305-080	CHIP CAP 470 pF/50V +-5% NPO	a		b
MAIN	0 C	0105	87-010-364-080	CHIP CAP 68 pf/50V +-5% NPO (	a		b
MAIN	0 C	0107	87-010-154-080	CHIP CAP 10 pF/50V +-0.5pF NP	a		b
MAIN	0 C	0108	87-010-949-080	CHIP CAP 0.01 uF/50V +-10% (0	a		b
MAIN	0 C	0109	87-010-575-080	CHIP CAP 560 pf/50V +-10% (08	a		b
MAIN	0 C	0110	87-012-286-080	CHIP CAP 0.01 uF/25V +-10% (0	a		b
MAIN	0 C	0111	87-010-151-080	CHIP CAP 7 pF/50V +-0.5pF NPO	a		b
MAIN	0 C	0112	87-012-286-080	CHIP CAP 0.01 uF/25V +-10% (0	a		b
MAIN	0 C	0114	87-010-949-080	CHIP CAP 0.01 uF/50V +-10% (0	a		b
MAIN	0 C	0115	87-010-334-080	CHIP CAP 12 pf/50V +-5% NPO (	a		b
MAIN	0 C	0116	87-010-573-080	CHIP CAP 390pF/50V	a		b
MAIN	0 C	0117	87-010-334-080	CHIP CAP 12 pf/50V +-5% NPO (	a		b
MAIN	0 C	0118	87-012-157-080	CHIP CAP 330 pF/50V +-5% NPO	a		b
MAIN	0 C	0120	87-010-831-080	CHIP CAP 1 uF/16V +80-20% (08	a		b
MAIN	0 C	0121	87-010-759-080	CHIP CAP 0.1 uF/25V +80-20% (	a		b
MAIN	0 C	0122	87-010-831-080	CHIP CAP 1 uF/16V +80-20% (08	a		b
MAIN	0 C	0123	87-010-759-080	CHIP CAP 0.1 uF/25V +80-20% (	a		b
MAIN	0 C	0124	87-010-831-080	CHIP CAP 1 uF/16V +80-20% (08	a		b
MAIN	0 C	0125	87-012-291-080	CHIP CAP 220 pF/50V +-5% NPO	a		b
MAIN	0 C	0126	87-010-450-080	CHIP CAP 0.47 uF/16V +80-20% (	a		b
MAIN	0 C	0127	87-010-419-080	ELECT CAP 4.7 MFD/16V +-20% (S	a		b
MAIN	0 C	0128	87-010-759-080	CHIP CAP 0.1 uF/25V +80-20% (	a		b
MAIN	0 C	0129	87-015-908-010	ELECT CAP 220 MFD/4V +-20% (SM	a		b
MAIN	0 C	0130	87-012-195-080	CHIP CAP 100 pF/50V +-5% NPO	a		b
MAIN	0 C	0131	87-010-949-080	CHIP CAP 0.01 uF/50V +-10% (0	a		b
MAIN	0 C	0132	87-010-949-080	CHIP CAP 0.01 uF/50V +-10% (0	a		b
MAIN	0 C	0133	87-012-155-080	CHIP CAP 180 pF/50V +-5% NPO	a		b
MAIN	0 C	0135	87-012-274-080	CHIP CAP 0.001 uF/50V +-10% (	a		b
MAIN	0 C	0136	87-012-274-080	CHIP CAP 0.001 uF/50V +-10% (	a		b
MAIN	0 C	0137	87-012-196-080	CERAMIC CAP 120 pF/50V +-10%	a		b
MAIN	0 C	0301	87-012-188-080	CHIP CAP 47 pf/50V +-5% NPO (	a		b

# ELECTRICAL PARTS LIST - 2/4

! = SAFETY PARTS  
C = Components marked

All components used on this model at the production line are shown in this service manual.

However, please note that not all components will be available as spare parts for after-sales service.

Components marked S and O are designated as spare parts for service and will be stocked at the spare parts centers.

Components marked X and R are not designated as spare parts for after sales service, and will not be stocked at the spare parts centers.

UNIT-NAME	! C	REF-NO	PARTS-NO	PARTS-NAME	SUFFIX&MODEL	CR-D550	CR-D550
						YZ1SC	YL1SC
MAIN		0 C	0302	87-010-501-080	ELECT CAP 47 MFD/4V +-20%(SMA	a	b
MAIN		0 C	0303	87-010-188-080	CHIP CAP 0.0068 uF/50V +-10%	a	b
MAIN		0 C	0304	87-010-831-080	CHIP CAP 1 uF/16V +80-20% (08	a	b
MAIN		0 C	0401	87-015-632-080	CHIP CAP 0.015 uF/50V +-10% (	a	b
MAIN		0 C	0402	87-016-396-080	CHIP CAP 0.22 uF/16V +80-20%	a	b
MAIN		0 C	0403	87-010-759-080	CHIP CAP 0.1 uF/25V +80-20% (	a	b
MAIN		0 C	0405	87-012-279-080	CHIP CAP 0.0027 uf/50V +-10%	a	b
MAIN		0 C	0406	87-010-031-010	ELECT CAP 3.3 MFD/25V +-20%(S	a	b
MAIN		0 C	0407	87-010-759-080	CHIP CAP 0.1 uF/25V +80-20% (	a	b
MAIN		0 C	0408	87-010-588-010	ELECT CAP 220 MFD/2V +-20%(SM	a	b
MAIN		0 C	0421	87-010-420-080	ELECT CAP 10 MFD/6.3V +-20%(S	a	b
MAIN		0 C	0422	87-010-420-080	ELECT CAP 10 MFD/6.3V +-20%(S	a	b
MAIN		0 C	0423	87-010-759-080	CHIP CAP 0.1 uF/25V +80-20% (	a	b
MAIN		0 C	0424	87-015-908-010	ELECT CAP 220 MFD/4V +-20%(SM	a	b
MAIN		0 C	0451	87-015-632-080	CHIP CAP 0.015 uF/50V +-10% (	a	b
MAIN		0 C	0452	87-016-396-080	CHIP CAP 0.22 uF/16V +80-20%	a	b
MAIN		0 C	0453	87-010-759-080	CHIP CAP 0.1 uF/25V +80-20% (	a	b
MAIN		0 C	0455	87-012-279-080	CHIP CAP 0.0027 uf/50V +-10%	a	b
MAIN		0 C	0456	87-010-031-010	ELECT CAP 3.3 MFD/25V +-20%(S	a	b
MAIN		0 C	0457	87-010-759-080	CHIP CAP 0.1 uF/25V +80-20% (	a	b
MAIN		0 C	0458	87-010-588-010	ELECT CAP 220 MFD/2V +-20%(SM	a	b
MAIN		0 C	0498	87-010-759-080	CHIP CAP 0.1 uF/25V +80-20% (	a	b
MAIN		0 CF	0101	87-A91-162-010	CERAMIC FILTER PFS450A7	a	b
MAIN		0 CF	0102	87-PC4-617-010	CERAMIC FILTER SFE10.7MS2-A/L	a	b
MAIN		0 CF	0103	S6-010-700-040	CERAMIC RESONATOR #CDA10.7MG8	a	b
MAIN		0 D	0101	87-A40-799-040	VARI CAP DIODE KV1610S (CHIP	a	b
MAIN		0 D	0102	87-017-925-080	VARI CAP DIODE KV1460TL (CHIP	a	b
MAIN		0 D	0103	87-017-925-080	VARI CAP DIODE KV1460TL (CHIP	a	b
MAIN		S D	0301	87-020-465-080	DIODE 1SS133 (T-72)	a	b
MAIN		S D	0302	87-020-465-080	DIODE 1SS133 (T-72)	a	b
MAIN		S IC	0101	87-A21-407-040	IC TA2104BFN	a	b
MAIN		S IC	0401	87-017-642-080	IC CXA1622M SONY	a	b
MAIN		0 L	0101	8A-RC4-603-010	ANT COIL ASS'Y A193448 w/BAR	a	b
MAIN		0 L	0102	8A-RC4-601-010	FM COIL 7.5T 3mm DIA:0.5mm(FM	a	b
MAIN		0 L	0103	8A-RC4-602-010	FM COIL 5.5T, 3mm, DIA:0.5mm(	a	b
MAIN		0 L	0104	87-003-152-080	INDUCTOR 100uH	a	b
MAIN		0 L	0401	87-003-097-080	INDUCTOR 1uH #LAL02TB1ROK/2.3	a	b
MAIN		0 L	0402	87-003-097-080	INDUCTOR 1uH #LAL02TB1ROK/2.3	a	b
MAIN		X L	0403	88-108-000-080	CHIP RESISTOR 0 ohm +-5% 1/16	a	b
MAIN		0 L	0451	87-003-097-080	INDUCTOR 1uH #LAL02TB1ROK/2.3	a	b
MAIN		S Q	0101	89-341-165-080	TR NPNGEN-RAD&SC-070 2SC4116GR	a	b
MAIN		S Q	0102	89-115-884-080	TR PNPGEN-RAD&SC-072 2SA1588Y	a	b
MAIN		S Q	0103	89-342-153-080	TR NPNGEN-RAD&SC-070 2SC42150	a	b
MAIN		S Q	0104	87-026-467-080	CHIP TRANSISTOR HN1C01F (TE85	a	b
MAIN		S Q	0105	89-342-153-080	TR NPNGEN-RAD&SC-070 2SC42150	a	b
MAIN		S Q	0301	89-341-165-080	TR NPNGEN-RAD&SC-070 2SC4116GR	a	b
MAIN		S Q	0302	89-341-165-080	TR NPNGEN-RAD&SC-070 2SC4116GR	a	b
MAIN		S Q	0401	89-113-625-080	TR FETSST-R 2SA1362GR	a	b
MAIN		S Q	0402	89-341-165-080	TR NPNGEN-RAD&SC-070 2SC4116GR	a	b
MAIN		0 R	0101	88-118-682-080	CHIP RESISTOR 6.8 Kohm +-5% 1	a	b
MAIN		0 R	0102	88-118-332-080	CHIP RESISTOR 3.3 Kohm +-5% 1	a	b
MAIN		0 R	0103	88-108-473-080	CHIP RESISTOR 47 Kohm +-5% 1/	a	b
MAIN		0 R	0104	88-108-473-080	CHIP RESISTOR 47 Kohm +-5% 1/	a	b
MAIN		0 R	0105	88-108-474-080	CHIP RESISTOR 470 Kohm +-5% 1	a	b
MAIN		0 R	0106	88-118-103-080	CHIP RESISTOR 10 Kohm +-5% 1/	a	b
MAIN		0 R	0107	88-118-272-080	CHIP RESISTOR 2.7 Kohm +-5% 1	a	b
MAIN		0 R	0108	88-108-473-080	CHIP RESISTOR 47 Kohm +-5% 1/	a	b
MAIN		0 R	0109	88-108-471-080	CHIP RESISTOR 470 ohm +-5% 1/	a	b
MAIN		0 R	0111	88-108-474-080	CHIP RESISTOR 470 Kohm +-5% 1	a	b
MAIN		X R	0112	88-108-330-080	CHIP RESISTOR 33 ohm +-5% 1/1	a	b
MAIN		0 R	0113	88-108-822-080	CHIP RESISTOR 8.2 Kohm +-5% 1	a	b
MAIN		0 R	0114	88-108-332-080	CHIP RESISTOR 3.3 Kohm +-5% 1	a	b
MAIN		0 R	0115	88-108-474-080	CHIP RESISTOR 470 Kohm +-5% 1	a	b
MAIN		0 R	0116	88-108-122-080	CHIP RESISTOR 1.2 Kohm +-5% 1	a	b
MAIN		X R	0117	88-118-100-080	CHIP RESISTOR 10 ohm +-5% 1/1	a	b
MAIN		0 R	0118	88-118-153-080	CHIP RESISTOR 15 Kohm +-5% 1/	a	b
MAIN		X R	0120	88-118-222-080	CHIP RESISTOR 2.2 Kohm +-5% 1	a	b
MAIN		X R	0121	88-118-222-080	CHIP RESISTOR 2.2 Kohm +-5% 1	a	b
MAIN		0 R	0122	88-118-332-080	CHIP RESISTOR 3.3 Kohm +-5% 1	a	b
MAIN		0 R	0123	88-118-224-080	CHIP RESISTOR 220 Kohm +-5% 1	a	b
MAIN		0 R	0124	88-118-331-080	CHIP RESISTOR 330 ohm +-5% 1/	a	b
MAIN		0 R	0127	88-118-473-080	CHIP RESISTOR 47 Kohm +-5% 1/	a	b
MAIN		X R	0128	88-118-474-080	CHIP RESISTOR 470 Kohm +-5% 1	a	b
MAIN		X R	0129	88-118-105-080	CHIP RESISTOR 1 Mohm +-5% 1/1	a	b
MAIN		X R	0301	88-118-824-080	CHIP RESISTOR 820 Kohm +-5% 1	a	b
MAIN		0 R	0302	88-118-224-080	CHIP RESISTOR 220 Kohm +-5% 1	a	b
MAIN		X R	0303	88-118-393-080	CHIP RESISTOR 39 Kohm +-5% 1/	a	b
MAIN		X R	0304	88-118-101-080	CHIP RESISTOR 100 ohm +-5% 1/	a	b
MAIN		0 R	0305	88-118-102-080	CHIP RESISTOR 1 Kohm +-5% 1/1	a	b
MAIN		X R	0306	88-118-184-080	CHIP RESISTOR 180 Kohm +-5% 1	a	b

# ELECTRICAL PARTS LIST - 3/4

! =  $\Delta$  SAFTY PARTS  
 C = Components marked

All components used on this model at the production line are shown in this service manual.

However, please note that not all components will be available as spare parts for after-sales service.

Components marked S and O are designated as spare parts for service and will be stocked at the spare parts centers.

Components marked X and R are not designated as spare parts for after sales service, and will not be stocked at the spare parts centers.

UNIT-NAME	! C	REF-NO	PARTS-NO	PARTS-NAME	SUFFIX&MODEL
					CR-D550 YZ1SC
					CR-D550 YL1SC
MAIN	0 R	0401	88-118-682-080	CHIP RESISTOR 6.8 Kohm +-5% 1	a
MAIN	0 R	0402	88-118-272-080	CHIP RESISTOR 2.7 Kohm +-5% 1	a
MAIN	X R	0403	88-118-334-080	CHIP RESISTOR 330 Kohm +-5% 1	a
MAIN	0 R	0404	88-118-103-080	CHIP RESISTOR 10 Kohm +-5% 1/	a
MAIN	0 R	0405	88-118-103-080	CHIP RESISTOR 10 Kohm +-5% 1/	a
MAIN	X R	0406	88-118-560-080	CHIP RESISTOR 56 ohm +-5% 1/1	a
MAIN	X R	0406	88-118-390-080	CHIP RESISTOR 39 ohm +-5% 1/1	.
MAIN	X R	0410	88-118-000-080	CHIP RESISTOR 0 ohm +-5% 1/10	a
MAIN	0 R	0419	88-118-332-080	CHIP RESISTOR 3.3 Kohm +-5% 1	a
MAIN	0 R	0420	88-118-394-080	CHIP RESISTOR 390 Kohm +-5% 1	a
MAIN	X R	0421	88-118-479-080	CHIP RESISTOR 4.7 ohm +-5% 1/	a
MAIN	X R	0423	88-118-221-080	CHIP RESISTOR 220 ohm +-5% 1/	a
MAIN	0 R	0424	88-118-472-080	CHIP RESISTOR 4.7 Kohm +-5% 1	a
MAIN	X R	0425	88-118-474-080	CHIP RESISTOR 470 Kohm +-5% 1	a
MAIN	0 R	0451	88-118-682-080	CHIP RESISTOR 6.8 Kohm +-5% 1	a
MAIN	0 R	0452	88-118-272-080	CHIP RESISTOR 2.7 Kohm +-5% 1	a
MAIN	X R	0453	88-118-334-080	CHIP RESISTOR 330 Kohm +-5% 1	a
MAIN	0 R	0454	88-118-103-080	CHIP RESISTOR 10 Kohm +-5% 1/	a
MAIN	0 R	0455	88-118-103-080	CHIP RESISTOR 10 Kohm +-5% 1/	a
MAIN	X R	0456	88-118-560-080	CHIP RESISTOR 56 ohm +-5% 1/1	a
					CR-D550 YZ1SC
					CR-D550 YL1SC
MAIN	X R	0456	88-118-390-080	CHIP RESISTOR 39 ohm +-5% 1/1	.
MAIN	X R	0460	88-118-000-080	CHIP RESISTOR 0 ohm +-5% 1/10	a
MAIN	0 S	0101	87-A91-152-010	SLIDE SW ALPS 1P2T SSSS21383A	a
MAIN	0 S	0402	87-A91-152-010	SLIDE SW ALPS 1P2T SSSS21383A	a
MAIN	0 T	0101	S8-425-550-050	IFT (AM IF) 0002-842555 5mm	a
MAIN	0 T	0301	S8-398-250-550	IFT 0002-839825 5.5mm	a
MAIN	0 TC	0101	87-A91-392-010	TRIMMER CAP ECRLA020E52 5.5-2	a
MAIN	0 VR	0401	87-A91-735-010	VARIABLE RESISTOR 50K-B	a

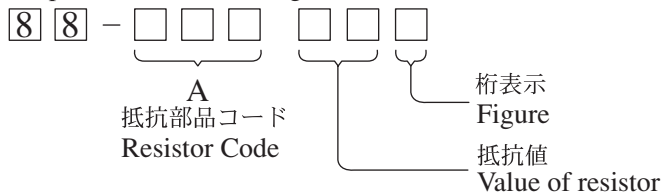
# ELECTRICAL PARTS LIST - 4/4

- Regarding connectors, they are not stocked as they are not the initial order items.  
The connectors are available after they are supplied from connector manufacturers upon the order is received.

## チップ抵抗部品コード／CHIP RESISTOR PART CODE

チップ抵抗部品コードの成り立ち

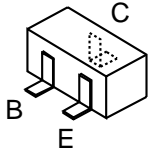
Chip Resistor Part Coding



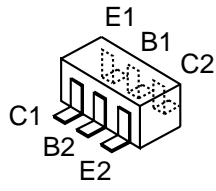
## チップ抵抗 Chip resistor

容量 Wattage	種類 Type	許容誤差 Tolerance	記号 Symbol	寸法/Dimensions (mm)			抵抗コード : A Resistor Code : A	
				外形/Form	L	W		t
1/16W	1005	± 5%	CJ		1.0	0.5	0.35	104
1/16W	1608	± 5%	CJ		1.6	0.8	0.45	108
1/10W	2125	± 5%	CJ		2	1.25	0.45	118
1/8W	3216	± 5%	CJ		3.2	1.6	0.55	128

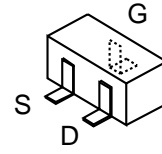
# TRANSISTOR ILLUSTRATION - 1/1



2SA1362  
2SA1588  
2SC4116  
2SC4215

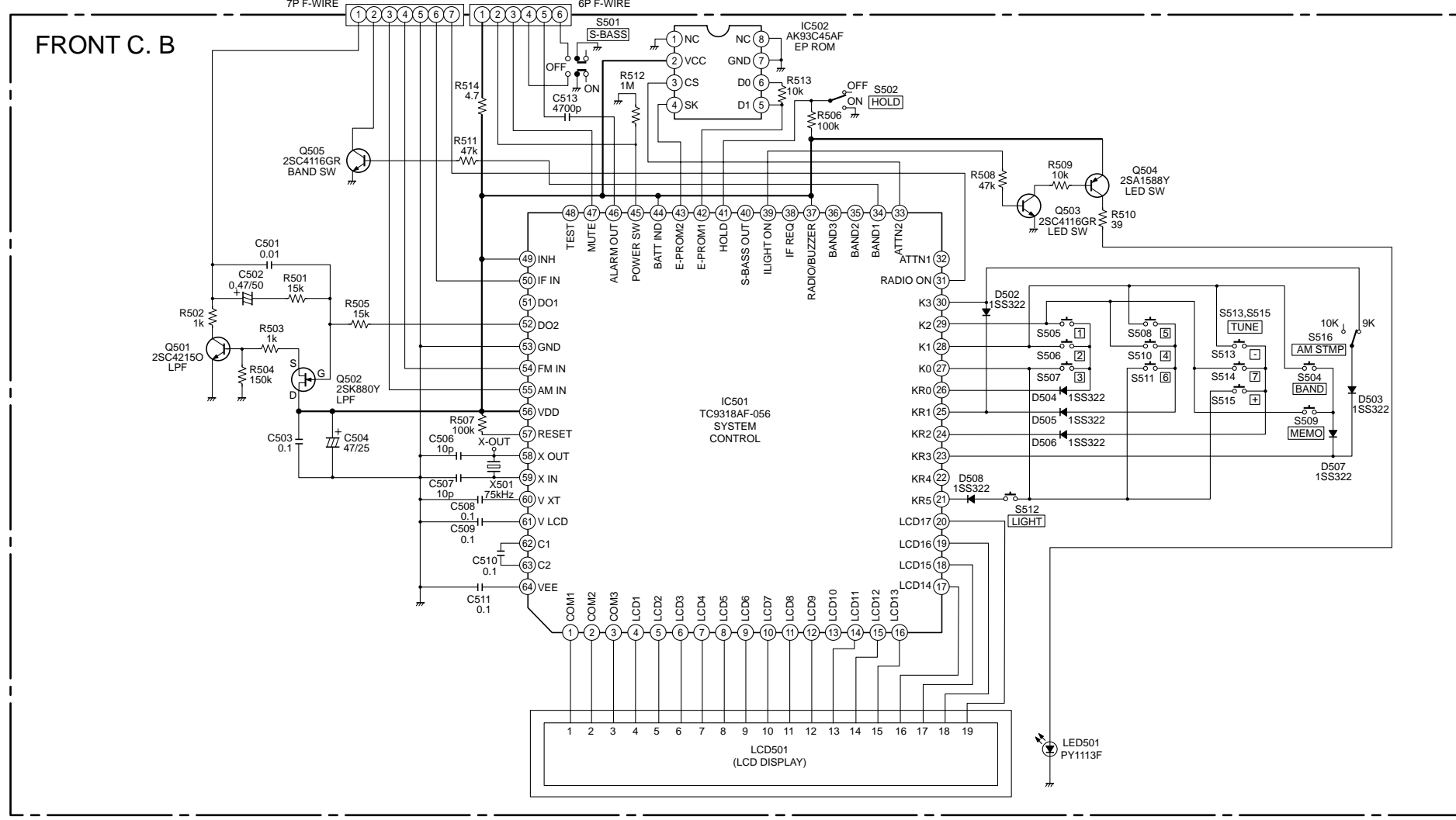
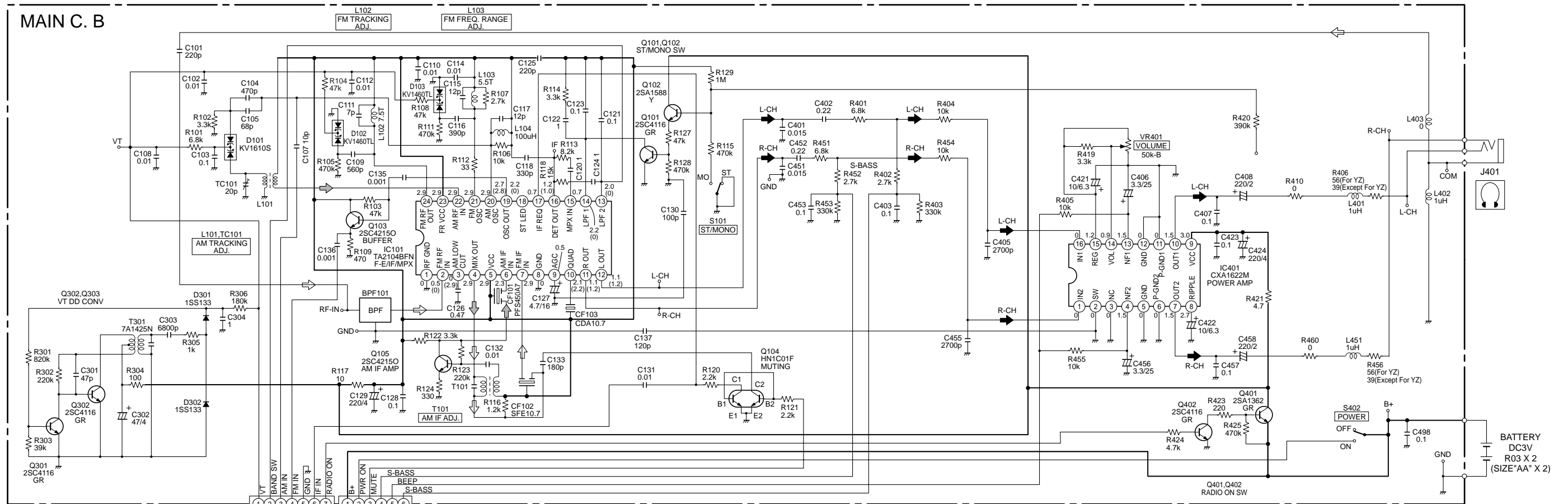


HN1C01

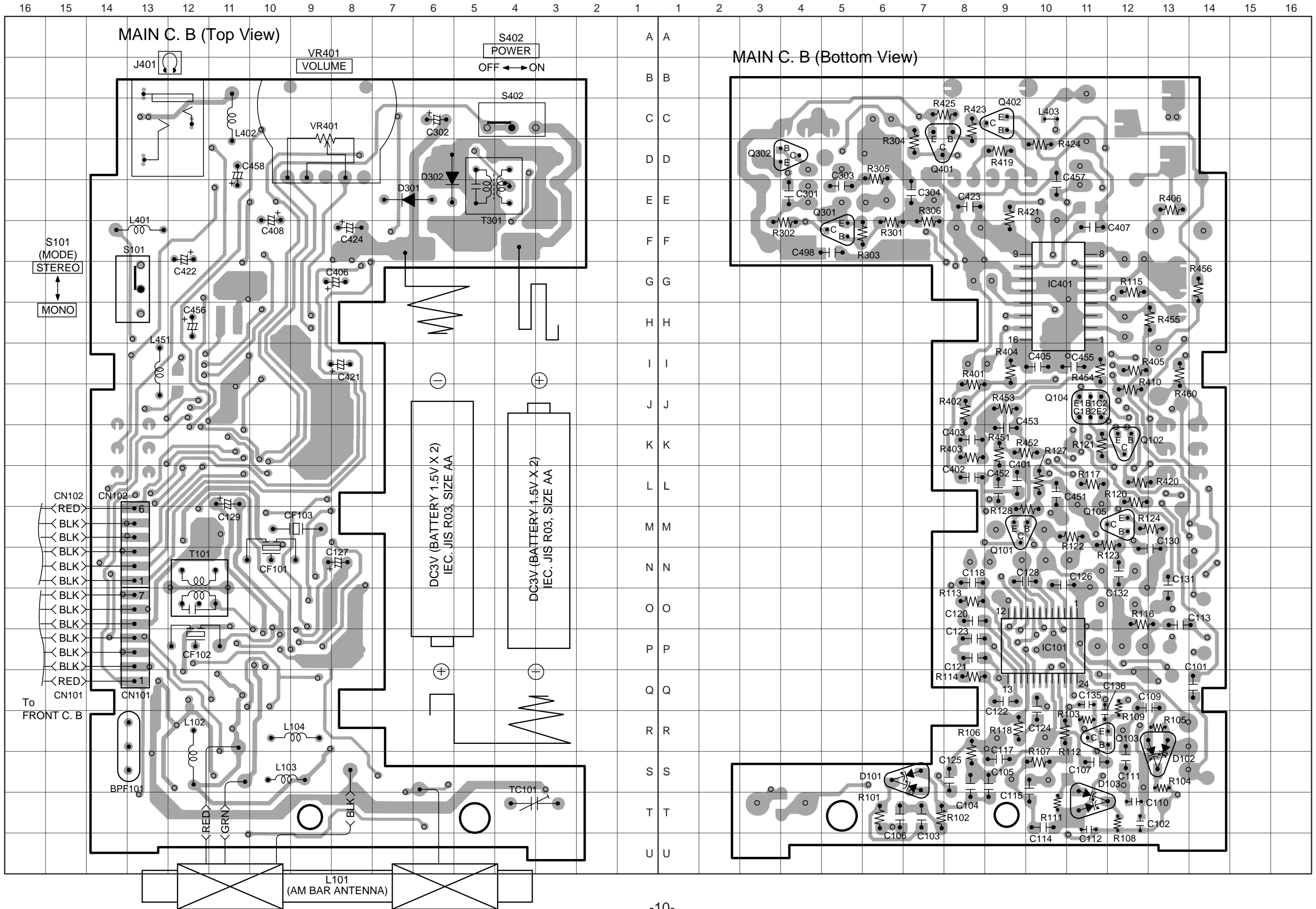


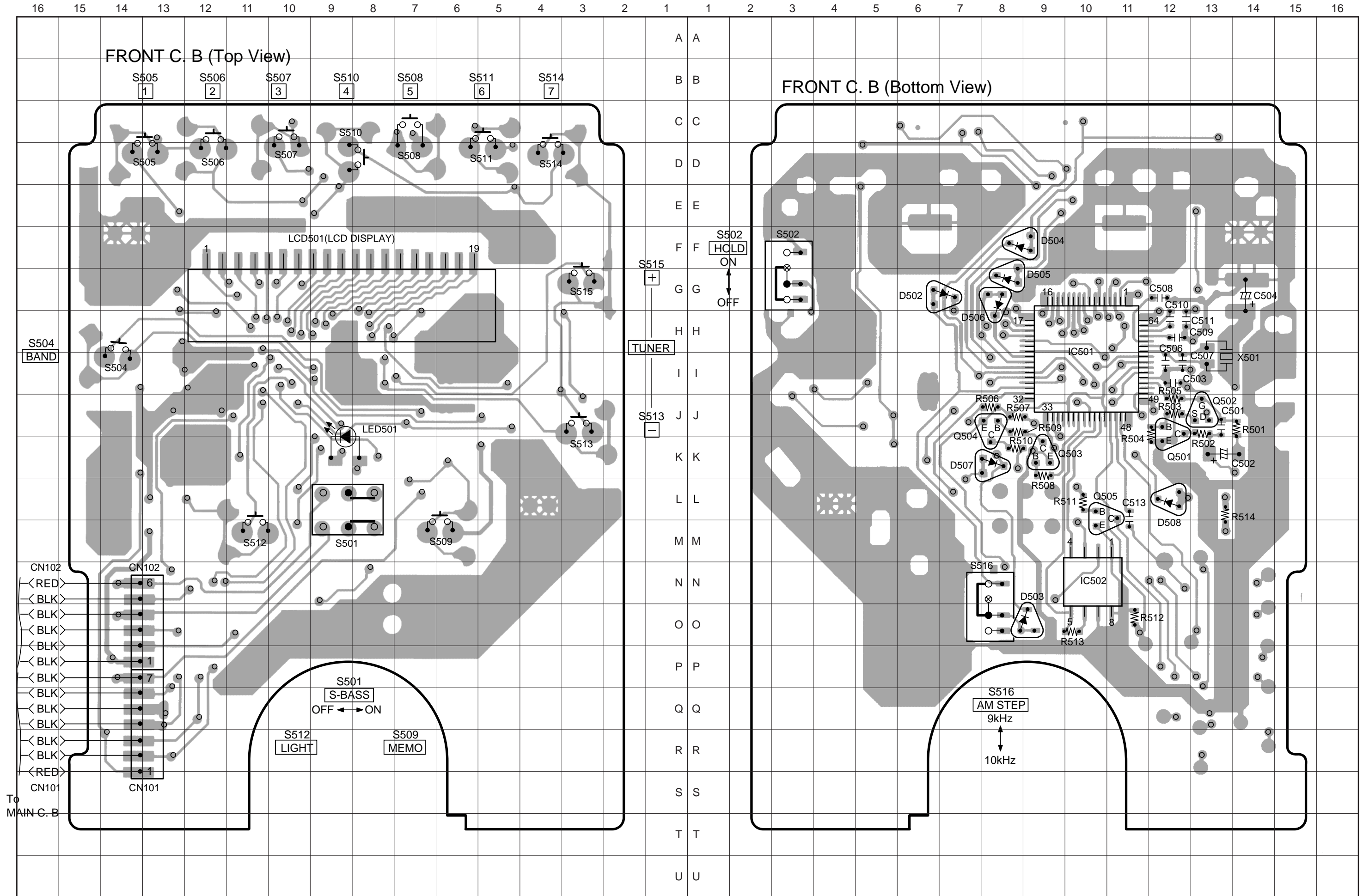
2SK880

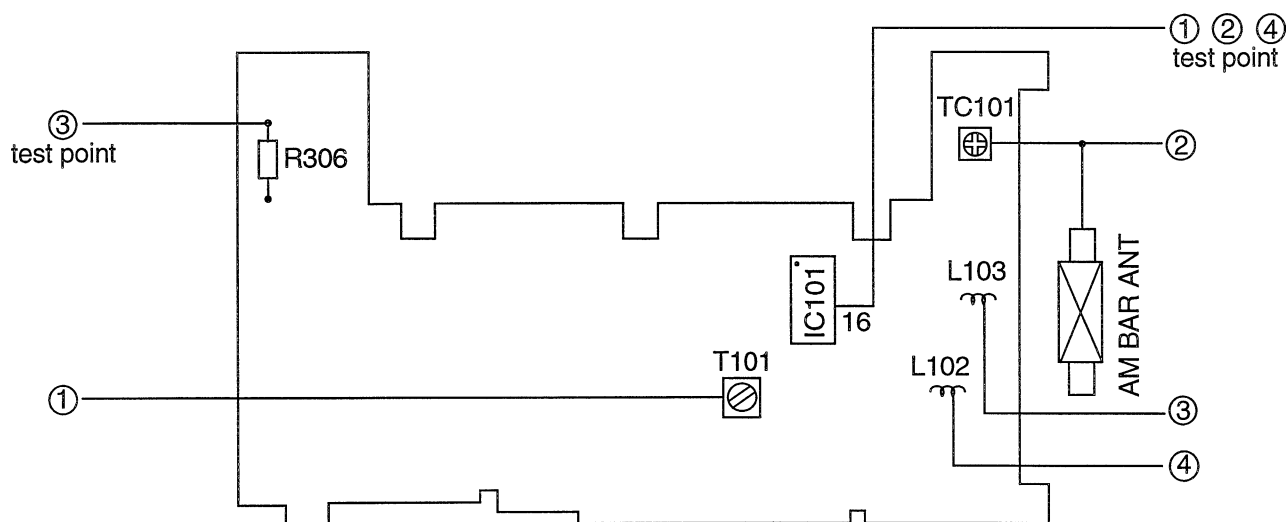




: FM SIGNAL  
 : AM SIGNAL  
 : AF SIGNAL  
 • VOLTAGE FM (AM)







1. AM IF Adjustment

Test point: IC101(TA2104BFN) 16 PIN and GND  
 Adjustment location: T101  
 T101 ----- 450kHz

2. AM Tracking Adjustment

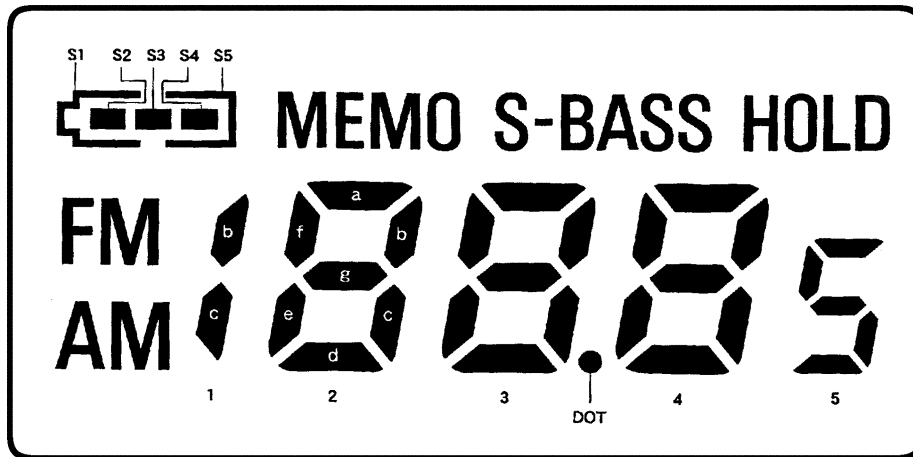
Test point: IC101(TA2104BFN) 16 PIN and GND  
 Adjustment location: TC101, AM BAR ANT(L101)  
 TC101 ----- 630kHz waveform max.  
 AM BAR ANT(L101) ----- 1440kHz waveform max.

3. FM Frequency Range Adjustment

Test point: R306  
 Adjustment location: L103  
 Set the tuner frequency to be 87.5MHz  
 Adjust L103 so that the test point voltage is  
 2.3V ±0.5V

4. FM Tracking Adjustment

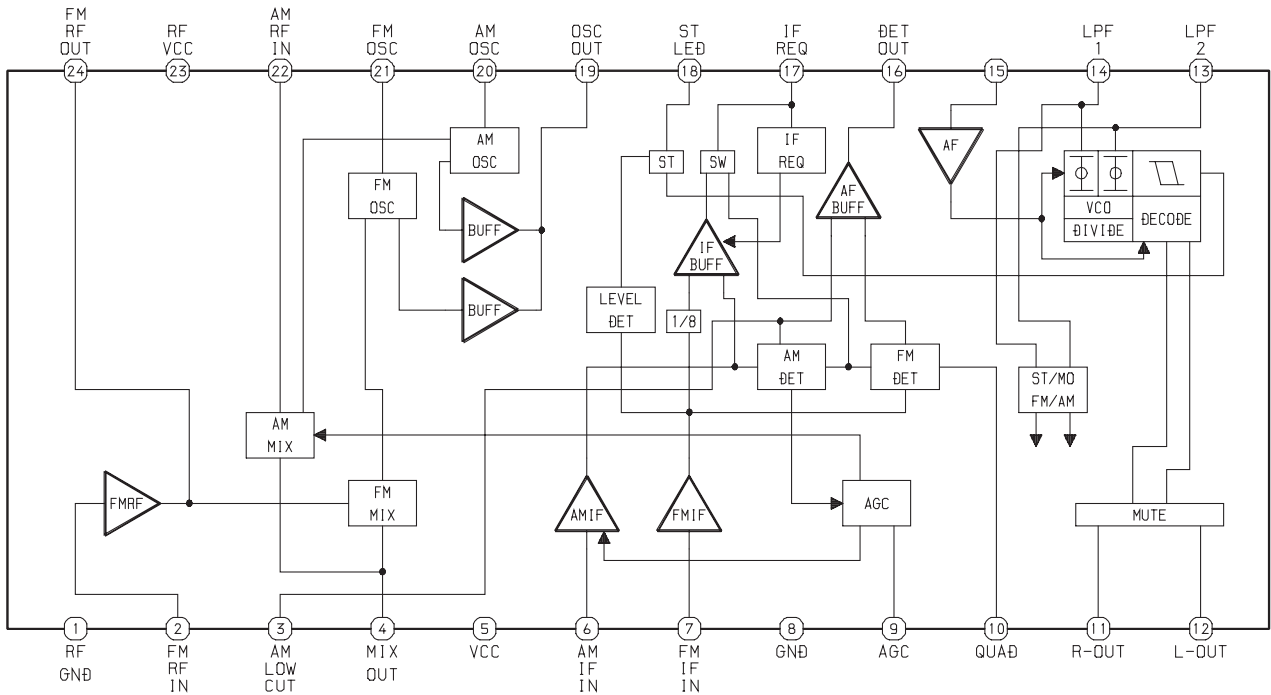
Test point: IC101(TA2104BFN) 16 PIN and GND  
 Adjustment location: L102  
 L102 ----- 88MHz waveform max.



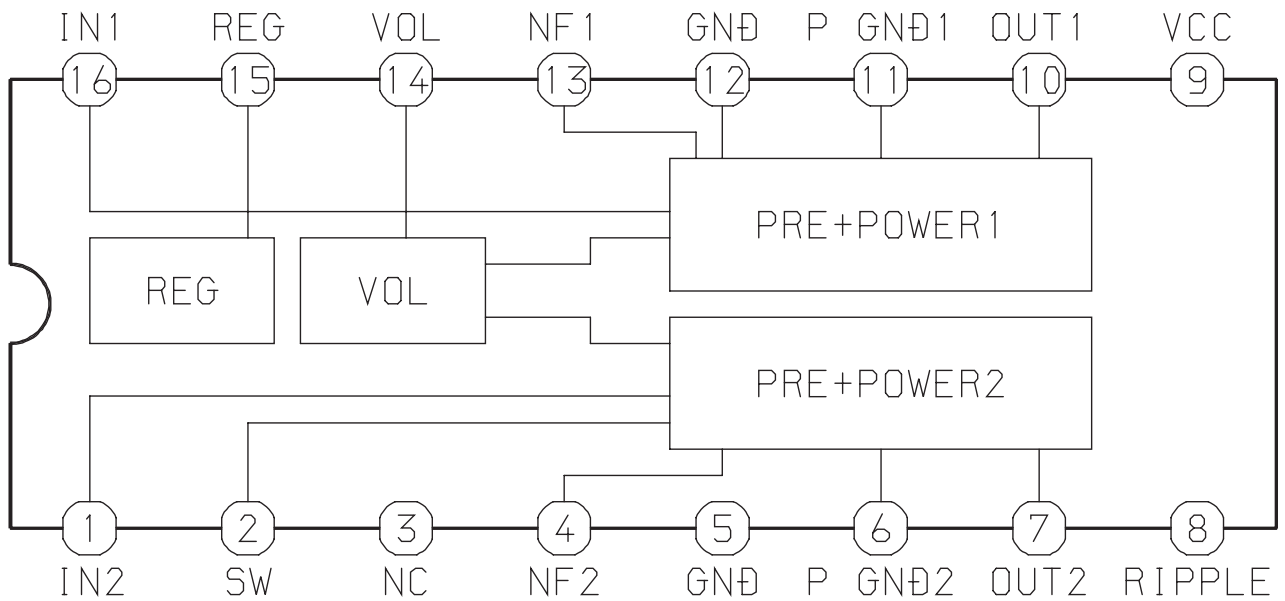
No	COM0	COM1	COM2
1	COM0	---	---
2	---	COM1	---
3	---	---	COM2
4	---	---	FM
5	---	AM	---
6	---	---	S1
7	---	---	S2
8	---	---	S3
9	1c	1b	S4
10	2e	2f	S5
11	2g	2a	MEMO
12	2d	2c	2b
13	3e	3f	3a
14	3d	3g	3b
15	---	DOT	3c
16	4d	4e	4f
17	4g	4a	HOLD
18	5	4c	4b
19	---	MHz	kHz

# IC BLOCK DIAGRAM -1/1

## IC, TA2104BFN



## IC, CXA1622M



IC DESCRIPTION - 1/2 (IC,TC9318FA-056) - 1/2

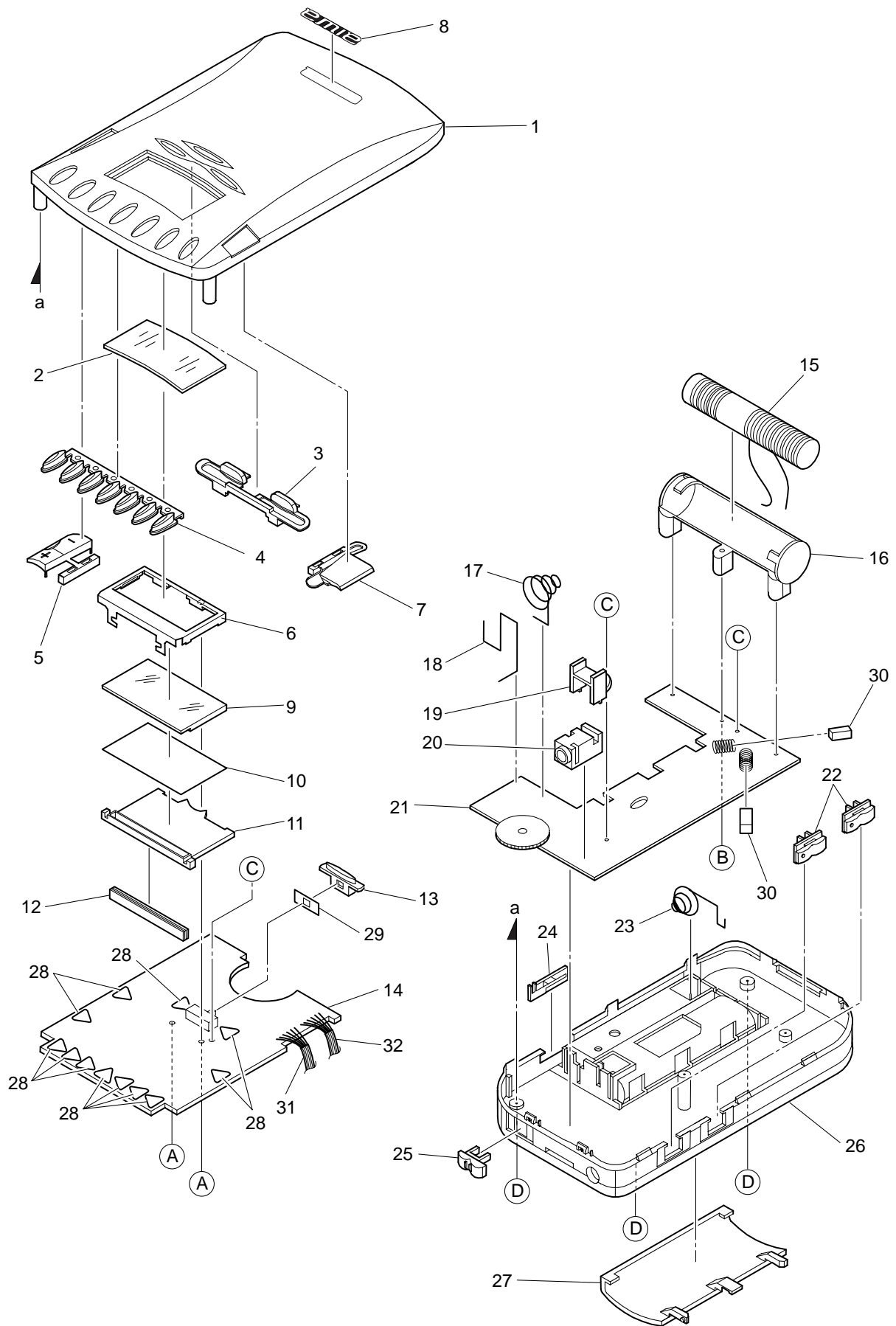
Pin No.	Pin Name	I/O	Description
1	COM1	O	LCD COMMON.
2	COM2	O	LCD COMMON.
3	COM3	O	LCD COMMON.
4	LCD1	O	LCD SEGMENT.
5	LCD2	O	LCD SEGMENT.
6	LCD3	O	LCD SEGMENT.
7	LCD4	O	LCD SEGMENT.
8	LCD5	O	LCD SEGMENT.
9	LCD6	O	LCD SEGMENT.
10	LCD7	O	LCD SEGMENT.
11	LCD8	O	LCD SEGMENT.
12	LCD9	O	LCD SEGMENT.
13	LCD10	O	LCD SEGMENT.
14	LCD11	O	LCD SEGMENT.
15	LCD12	O	LCD SEGMENT.
16	LCD13	O	LCD SEGMENT.
17	LCD14	O	LCD SEGMENT.
18	LCD15	O	LCD SEGMENT.
19	LCD16	O	LCD SEGMENT.
20	LCD17	O	LCD SEGMENT.
21	KR5	O	KEY RETURN TIMING OUTPUT
22	KR4	O	KEY RETURN TIMING OUTPUT. (Not connected)
23	KR3	O	KEY RETURN TIMING OUTPUT.
24	KR2	O	KEY RETURN TIMING OUTPUT.
25	KR1	O	KEY RETURN TIMING OUTPUT.
26	KR0	O	KEY RETURN TIMING OUTPUT.
27	K0	I	KEY INPUT.
28	K1	I	KEY INPUT.
29	K2	I	KEY INPUT.
30	K3	I	KEY INPUT.
31	RADIO ON	O	RADIO FANCTIONS, C WHEN ALARM OUTPUT, H OUTPUT.
32	ATTN1	O	WHEN ALARM OUTPUT H→H→L→L OUTPUT at 10sec. (Not connected)
33	ATTN2	O	WHEN ALARM OUTPUT H→L→H→L OUTPUT at 10sec.
34	BAND1	O	AM FANCTIONS H OUTPUT.
35	BAND2	O	FM FANCTIONS H OUTPUT. (Not connected)
36	BAND3	O	E: LW or J: TV or U: TV, WEATHER FANCTIONS H OUTPUT. (Not connected)
37	RADIO/BUZZER	I	ALARM SELECTION H : RADIO ALARM L: FBZZER ALARM. (Connected to VDD)
38	IF REQ	O	DURING AUTO SCANNING H OUTPUT. (Not connected)
39	LIGHT ON	O	LIGHT KEY PUSHED H OUTPUT.
40	S-BASS OUT	O	S BASS KEY PUSHED H→L OUTPUT CICRIC. (Not connected)

IC DESCRIPTION - 2/2 (IC,TC9318FA-056) - 2/2

Pin No.	Pin Name	I/O	Description
41	HOLD	I	L INPUT, KEYS HOLD.
42	E-PROM1	I/O	E-PROM INTERFACE.
43	E-PROM2	O	E-PROM INTERFACE.
44	BATT IND	I	A/D INPUT FOR BATTERY INDICATOR. (Connected to VDD)
45	POWER SW	I	H INPUT, RADIO ON.
46	ALARM OUT	O	ALARM1,ALARM2 OUTPUT.
47	MUTE	O	WHEN MUTE ON, H OUTPUT.
48	TEST	I	TEST PIN. (Not connected)
49	INH	I	L INPUT RADIO OFF.
50	IF IN	I	IF SIGNAL INPUT.
51	DO1	O	PLL OUTPUT. (Connected to VDD)
52	DO2	O	PLL OUTPUT.
53	GND	—	GND.
54	FM IN	I	FM OSC SIGNAL INPUT.
55	AM IN	I	AM OSC SIGNAL INPUT.
56	VDD	—	Power Supply Pin.
57	RESET	I	Input pin for system reset signals. (Pull up)
58	X OUT	O	Crystal oscillator output pin.
59	X IN	I	Crystal oscillator input pin.
60	V XT	I	Power supply for the crystal oscillator. (Pull down)
61	V LCD	I	Voltage doubler boosting pin for driving the LCD.
62	C1	O	
63	C2	O	
64	VEE	—	1.5V constant voltage supply pin for driving the LCD. (Pull down)



MECHANICAL EXPLODED VIEW -1/1



# MECHANICAL PARTS LIST -1/1

! =  $\Delta$  SAFTY PARTS  
 C = Components marked

All components used on this model at the production line are shown in this service manual.

However, please note that not all components will be available as spare parts for after-sales service.

Components marked S and O are designated as spare parts for service and will be stocked at the spare parts centers.

Components marked X and R are not designated as spare parts for after sales service, and will not be stocked at the spare parts centers.

UNIT-NAME	! C	REF-NO	PARTS-NO	PARTS-NAME	SUFFIX&MODEL	
					CR-D550	CR-D550
					YZ1SC	YL1SC
	0	MC1001	8C-RC8-005-010	F.CAB (Y) CRC8-01-01 J-NL089	a	b
	0	MC1002	8C-RC8-002-010	LCD WINDOW CRC8-04 MOLD TRANS	a	b
	0	MC1003	8C-RC7-003-010	LIGHT/MEMO KNOB CRC7-05 NATUR	a	b
	0	MC1004	8C-RC7-004-010	PRESET BUTTON CRC7-06 NATURAL	a	b
	0	MC1005	8C-RC7-006-010	TUN BUTTON CRC7-08 MOLD L.GR	a	b
	0	MC1006	8A-RC4-206-010	LCD HOLDER ARC4-19 THK=0.3mm	a	b
	0	MC1007	8C-RC7-005-010	BAND BUTTON CRC7-07 MOLD L.GR	a	b
	0	MC1008	8C-RC7-016-010	LOGO PLATE CRC7-20-01 0.5 PC	a	b
	0	MC1009	8A-RC4-612-010	LCD-P-04D-3129SM019P BT-A303F	a	b
	X	MC1010	8A-RC4-207-010	LCD PLATE ARC4-20 THK=0.1mm P	a	b
	0	MC1011	8A-RC4-201-010	LCD LENS ARC4-13	a	b
	0	MC1012	8A-RC4-211-010	ZEBRA CONNECTOR 28.7x3.2x1.8m	a	b
	0	MC1013	8C-RC7-010-010	S-BASS KNOB CRC7-12-01 NATURA	a	b
	X	MC1014	S0-0CR-C71-000	PWB CRC7-01-01 120x155x0.8mm/	a	b
	0	MC1015	8A-RC4-603-010	ANT COIL ASS'Y A193448 w/BAR	a	b
	0	MC1016	8A-RC4-202-010	AM ANT HOLDER ARC4-16 CAV.2 (	a	b
	0	MC1017	8A-RC4-209-010	BATT SPRING (-) ARC4-22 DIA:0	a	b
	0	MC1018	8A-RC4-208-010	BATT SPRING (+) ARC4-21 DIA:0	a	b
	0	MC1019	8A-RC4-203-010	JACK HOLDER ARC4-17 CAV.2 (AB	a	b
	0	MC1020	87-A61-293-010	HEADPHONE JACK TC38-108-02 (T	a	b
					CR-D550	CR-D550
					YZ1SC	YL1SC
	X	MC1021	S0-0CR-C71-010	PCB CRC7-01-02 319x99x1.0mm/5	a	b
	X	MC1022	8C-RC7-009-010	MON/STER/SP/PH KNOB CRC7-11 M	a	b
	0	MC1023	8A-RC4-210-010	BATT SPRING (+/-) ARC4-23 DIA	a	b
	X	MC1024	8C-RC7-007-010	HOLD SL KNOB CRC7-09 MOLD D.G	a	b
	0	MC1025	8C-RC7-008-010	POWER SL KNOB CRC7-10 MOLD GR	a	b
	0	MC1026	8A-RC8-006-010	REAR CAB (YZ) ARC5-02-06 J-NL	a	.
	0	MC1026	8A-RC8-004-010	REAR CAB (Y) ARC5-02-05 JNL08	.	b
	0	MC1027	8C-RC8-007-010	BATTERY LID ARC4-03 L.GREY (J	a	b
	X	MC1028	SA-RC4-250-000	METAL DOME PLATE ARC4-25 6mm	a	b
	X	MC1029	SC-RC7-210-000	SWITCH PLATE CRC7-21 PC T=0.3	a	b
	X	MC1030	87-CD8-229-010	SPONGE 228-103 SIZE:15mmx15mm	a	b
	X	MC1031	S0-600-400-030	RAINBOW WIRE 6 PINS (2+36+2)	a	b
	X	MC1032	S0-700-400-010	RAINBOW WIRE 7 PINS (2+36+2)	a	b
	0	MC1A	87-067-359-010	SCREW 1.4x2.5mm, PM	a	b
	0	MC1B	87-353-507-310	SCREW ST1.4x3mm, PB BRASS BAS	a	b
	0	MC1C	87-B10-253-010	SCREW ST1.4x4mm PB ZN-PLATING	a	b
	0	MC1D	87-B10-072-010	SCREW ST1.4x6mm PB T.T.S. SIL	a	b

COLOR NAME TABLE -1/1

Basic color symbol	Color	Basic color symbol	Color	Basic color symbol	Color
B	Black	C	Cream	D	Orange
G	Green	H	Gray	L	Blue
LT	Transparent Blue	N	Gold	P	Pink
R	Red	S	Silver	ST	Titan Silver
T	Brown	V	Violet	W	White
WT	Transparent White	Y	Yellow	YT	Transparent Yellow
LM	Metallic Blue	LL	Light Blue	GT	Transparent Green
LD	Dark Blue	DT	Transparent Orange	GM	Metallic Green
YM	Metallic Yellow	DM	Metallic Orange	PT	Transparent Pink
LA	Aqua Blue	GL	Light Green	HT	Transparent Gray
HM	Metallic Gray	NH	Champagne Gold	M	Wood Pattern

**OTHER PARTS LIST -1/1**

- ! =  $\Delta$  SAFTY PARTS
- C = Components marked

All components used on this model at the production line are shown in this service manual.  
 However, please note that not all components will be available as spare parts for after-sales service.  
 Components marked S and O are designated as spare parts for service and will be stocked at the spare parts centers.  
 Components marked X and R are not designated as spare parts for after sales service, and will not be stocked at the spare parts centers.

UNIT-NAME	! C	REF-NO	PARTS-NO	PARTS-NAME	SUFFIX&MODEL	
					CR-D550	CR-D550
					YZ1SC	YL1SC
	X		87-B40-281-010	(F809-00000A-100) BAR CODE LB	a	b
	X		87-B50-078-010	FACILITY LIST(S)-0007 S:295x4	a	b
	X		87-051-133-110	POLYBAG (P.P.) S:4"x6" (150mm)	a	b
	X		8C-RC8-851-010	G/B (YZ1ST) CRC8-92-01 S:80x1	a	.
	X		87-056-168-010	INFORMATION WARRANTY SHEET 44	a	.
	X		8C-RC8-852-010	G/B(YL1STC) CRC8-92-02	.	b
	X		S0-901-210-000	FOAM RUBBER 901-21 BLACK 6x5	a	b
	X		PC-RC8-275-070	COSMETIC PARTS FOR CRC8-YZ1ST	a	.
	X		PC-RC8-355-070	COSMETIC PARTS FOR CRC8-YL1ST	.	b

アイワ株式会社 〒110-8710 東京都台東区池之端1-2-11 ☎03(3827)3111 (代表)  
**AIWA CO.,LTD.** 2-11, IKENOHATA 1-CHOME, TAITO-KU, TOKYO 110-8710, JAPAN TEL:03 (3827) 3111